



## TECHNICAL DATA DELAIR® GD 31 - GD 1101

### Introduction Pressurizers GD 31 - GD 1101

Each delair® pressurizer of the GD 31 - GD 1101 range is produced with two heat-regenerated adsorbers, an air compressor, a pressure switch, a pressure relief valve and an electronic control print. The combination results in a pressurizer which is suitable for fully continuous and automatic operation

### Standard GD 31 up to GD 1101

### Model A

Microprocessor controlled printed circuit board		•
Digital display:		
- Digital pressure indication		•
- Analogue pressure indication		•
- Operating time indication		•
- Process read out		•
Programmable pressure level		
- standard pressure ranges (factory set)		20 - 30 mbar
Other pressure ranges on request		40 - 80 mbar
Outlets, each equipped with shut-off valve	1	•
Tubing 6 mm OD, other connections on request	3	○
	6	○
Remote pressure sense input		•
Optical dew point indication		•
Safety relief valve		•
Electrical fuse		•
Humidity alarm		optional
Low pressure alarm		•
Mounting:		
- 19" rack		•
- Wall mounting		•
Tropical execution (ambient dew point < +19°C)		•

- standard
- optional

### Standard specifications

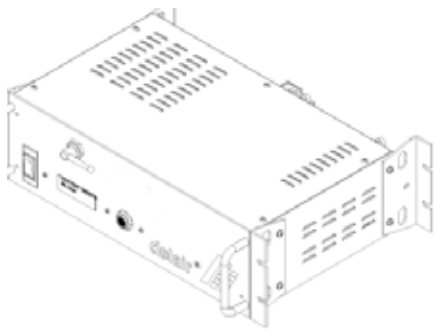
Medium	Ambient air
Operation	Fully automatic and continuous
Location	Indoors
Enclosure	IP 40
Ambient temperature	-10°C - +45°C
Relative humidity	Max. 95%
Outlet dew point Full load, 23°C inlet, 83% R.H.	< -40°C
Power supply	110V, 230V, 50/60 Hz
	24V, 48V, 60V DC
Drying time	6 hours
Regeneration time	3 hours
Stand-by time	depending on requirements

## Technical data

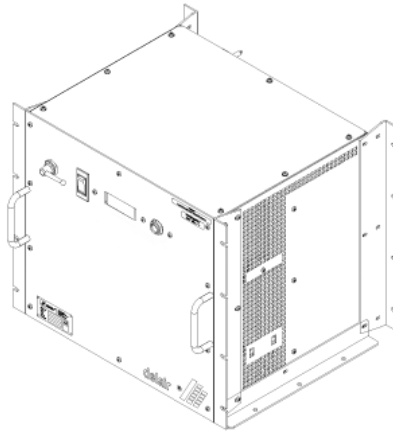
Model		Outlet capacity	Power consumption			Sound level	Dimensions			Weight
			Drying	Regeneration	Stand-by		Width	Depth	Height	
			l/h	W	W		W	mm	mm	
GD 31*	7R	30	10	55	5	< 50	114	204	580	10
	19"						482.6	255	122	
GD 51*	7R	50	10	55	5	< 50	114	204	580	10
	19"						482.6	255	122	
GD 101*	7R	100	60	125	10	< 58	114	204	900	20
	19"						482.6	350	122	
GD 201	7R	200	65	130	15	< 58	114	204	940	20
	19"						482.6	400	122	
GD 301	7R	300	70	135	15	< 58	114	204	1020	25
	19"						482.6	400	122	
GD 401	7R	400	80	150	15	< 58	114	204	1140	30
	19"						482.6	400	122	
GD 601	7R	600	90	400 <sup>1)</sup>	15	< 58	356	204	900	35
	19"						482.6	350	399	
GD 1101	7R	1100	110	400 <sup>1)</sup>	15	< 58	356	204	900	35
	19"						482.6	350	399	

<sup>1)</sup> Regeneration heater is equipped with thermostats, which lower the average energy consumption.

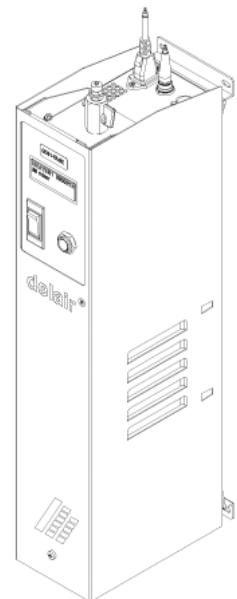
\* GD 31/51/101 are superseded by resp. delair Etsiline 32/52/102.  
The GD 31/51/101 are only available on request.



**GD 31-GD 401 - 19''**



**GD 601- GD 1101 - 19''**



**GD 31- GD 1101 - 7R**

