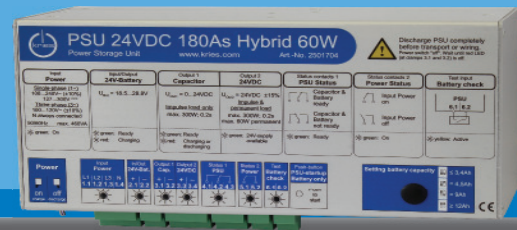


PSU_24V_Hybrid_60w

Maintenance minimized UPS solution with Impulse- und Reserve- Buffer for remote controlled and automated Switchgears



Combined Capacitor-/Battery-UPS for Supply and Buffering of Impulse- and Permanent Loads

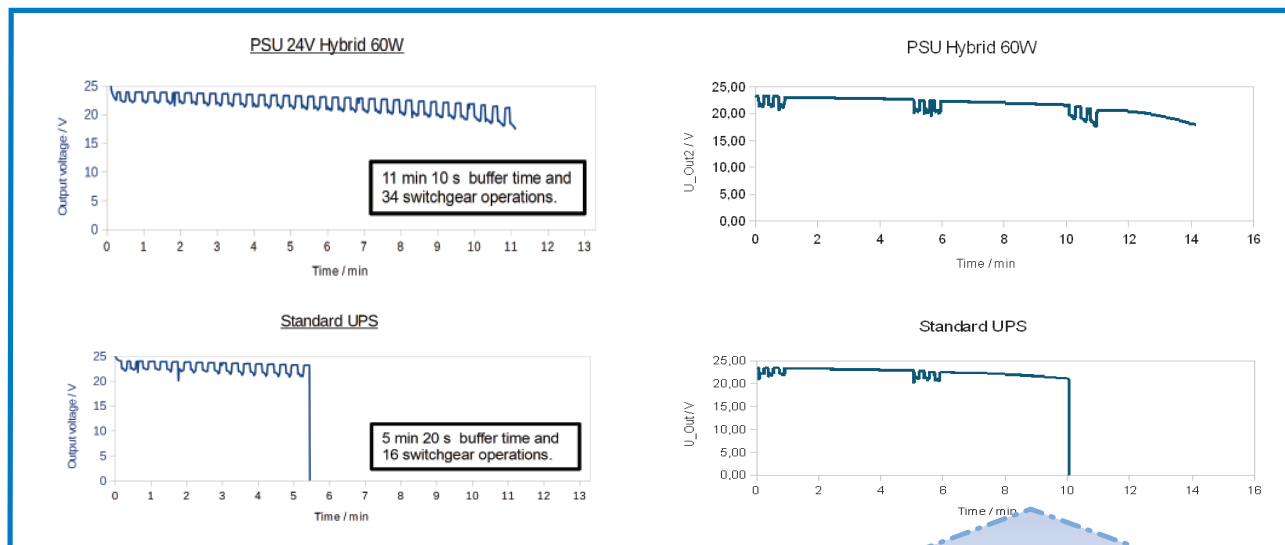
- Load: 60 W permanently + 300 W Impuls load + 180 As reserve buffer in case of empty battery
- Permanent-Load Output suitable for RTUs, protection relays, .. (fedded from battery)
- Impulse-load-output suitable for breaker motors, tripping coils, .. (fedded from capacitor)
- Capacitor reserve buffer allows emergency supply even in case of defective or empty battery
- Application example: Battery with 12Ah installed at motor, RTU and protection-relay
 > 3,75h buffer time for 60W + min. 50 motor operations 300W + reserve buffer for empty battery over about 15 sec

Expanded Battery Buffer Time and Battery Life-Time, additional Reserve-Buffer

- due to the combination of battery for permanent loads and capacitor for impulse-loads and reserve buffer the life-time of the battery will be extended considerably
- Type tests resulted in double life-time compared to conventional UPS

Efficiency comparison: PSU-Hybrid against standard-UPS with same battery size (1,3Ah)

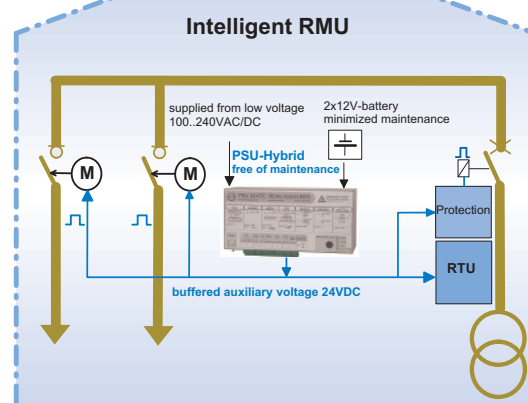
Result: The PSU-Hybrid offers for high motor-operation cycles the double and for minor motor-operation cycles 30% expanded bridging time of the permanent load. Furthermore the PSU-Hybrid offers between 50% and 100% more motor operations compared to standard UPS at same battery-size



Inputs and Outputs for RTU

- Output for Capacitor- and Battery-Status
- Remote-Check input for status inquiry

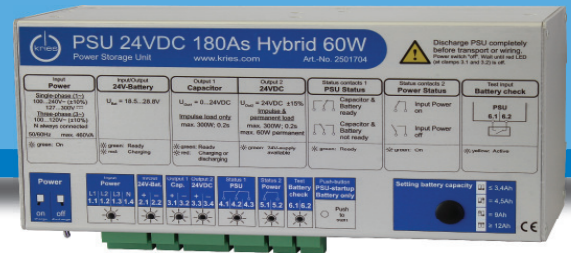
PSU-Hybrid, the reliable UPS-solution for remote-controlled and automated switch gears



PSU_24V_Hybrid_60W

www.kries.com

Maintenance minimized UPS solution with Impulse- und Reserve-Buffer for remote controlled and automated Switchgears



Technical Data

Auxiliary Voltage	Single-phase: 100...240VAC ($\pm 10\%$) or 127...300VDC Three-phase: 100...120VAC ($\pm 10\%$)
Output 3.3/3.4	24VDC; 60 W permanent load + max. 300 W impulse-load + 180 As reserve-buffer (with installed battery: max. 680 W impulse-load)
Output 3.1/3.2	24VDC, not regulated, only capacitor max. 300 W impulse-load + 180 As reserve-buffer
Contact 2.1/2.2	battery- and capacitor-status
Contact 5.1/5.2	AC/DC auxiliary-voltage availability
Input	Status-Inquiry for battery-status
Capacitor	Capacitance: 8,3F, Charge: 180 As, Power: 2400 Ws
Battery-Modul	Capacitance: selectable; charging-current: selectable, dependent from battery-size (1,3 Ah .. 20Ah)
Temperature-Range Operation Storage	-25°C .. +60°C -30°C .. +70°C
Protecting degree	Housing IP 42; clamps IP 22
Weight	2 kg
Dimensions	h _w xw _d = 225x105x110mm
Mounting	35mm- standard-C-bar
Art-Number	2501704

Principle Sketch

